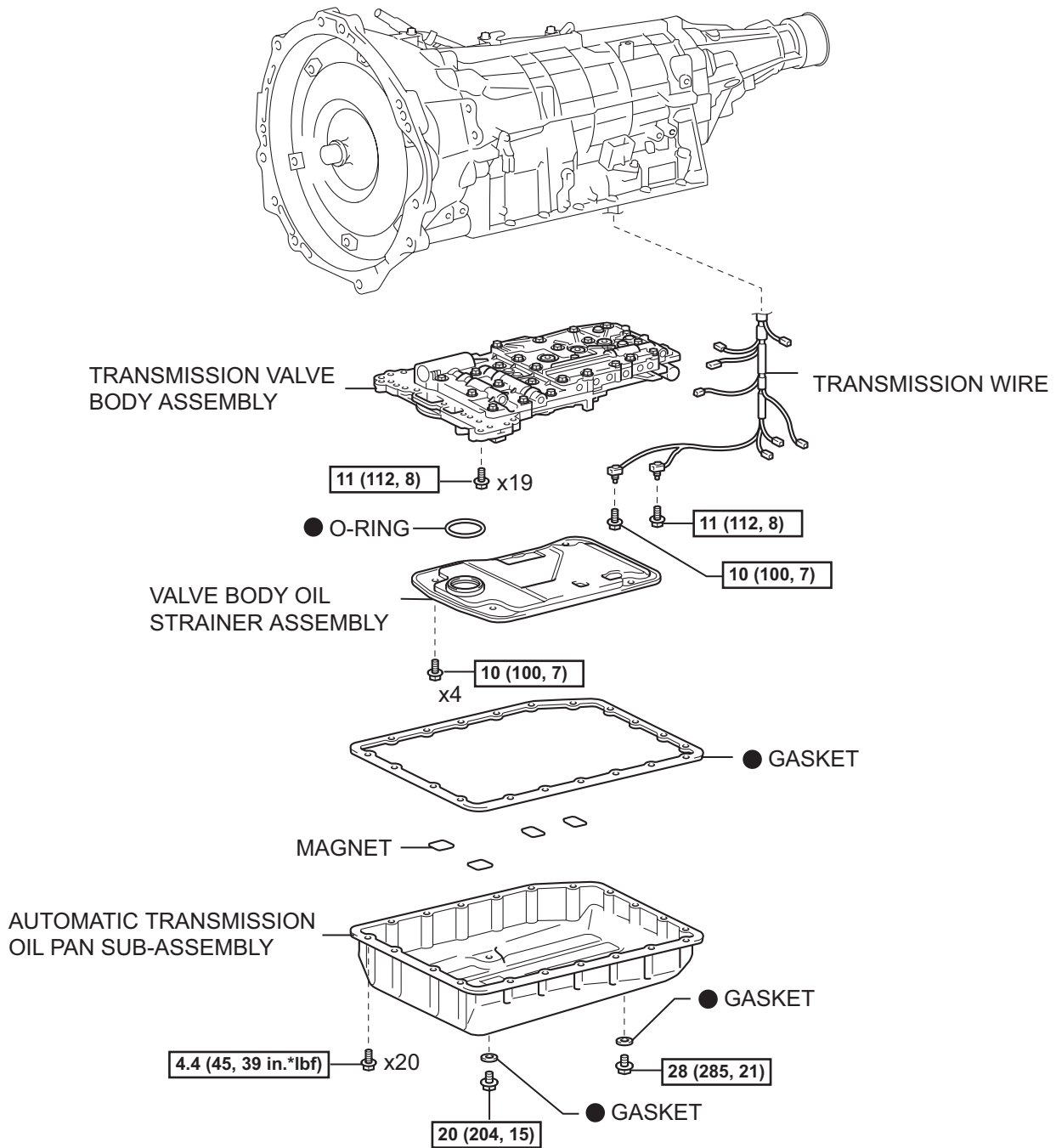


VALVE BODY ASSEMBLY

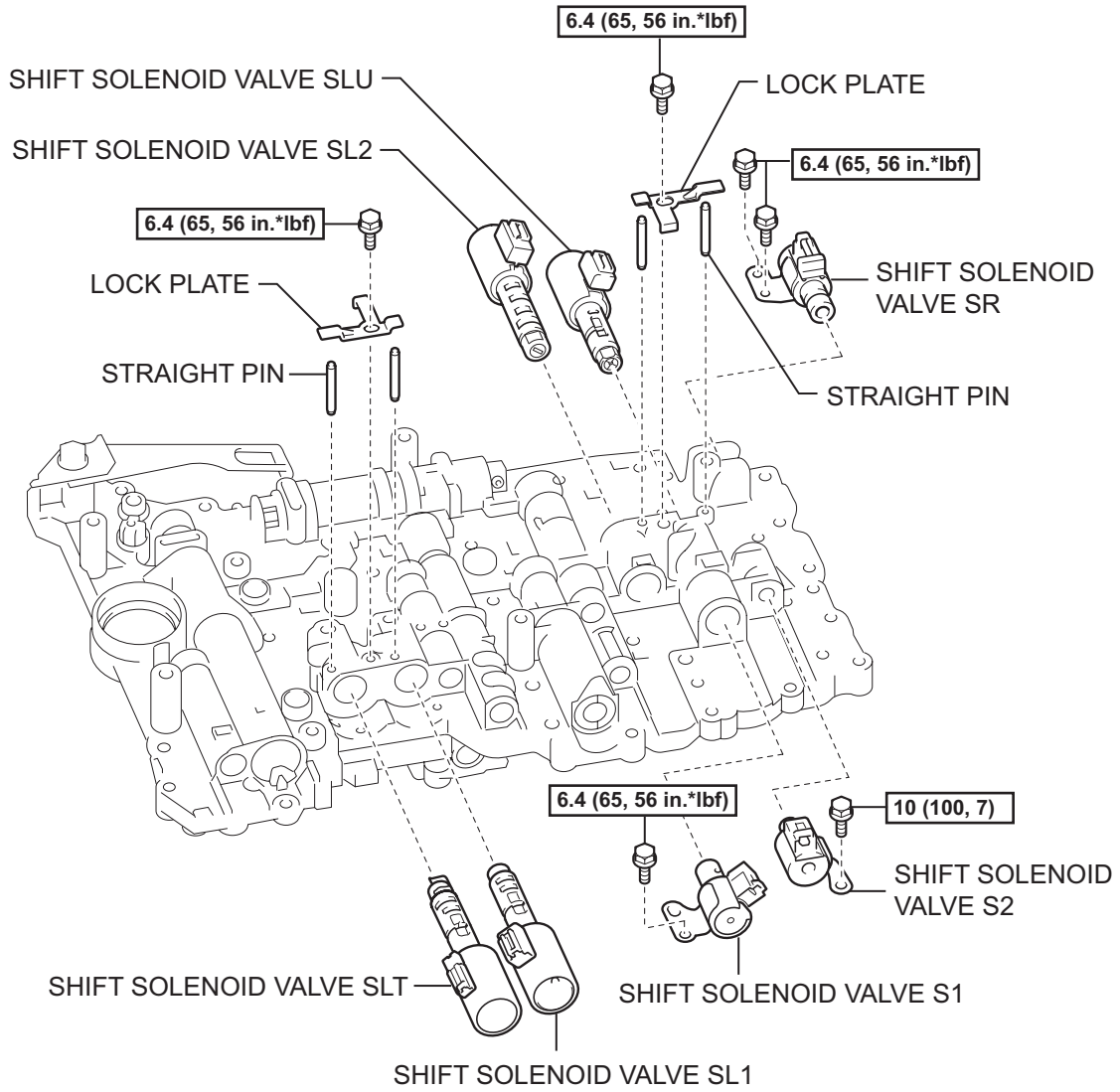
COMPONENTS



N*m (kgf*cm, ft*lbf) :Specified torque

● Non-reusable part

AT



AT

N*m (kgf*cm, ft*lbf) :Specified torque

P